

SERIES 212 LED



Two row LED board configuration with Mouse Hole Ends



Shown with tapped hole and optional T-5 Lamps



Optional Motion and Sound Detector



DESIGNED FOR
LED_s

Application

- Wall or ceiling in corridors, stairwells and bathrooms
- ADA Compliant - less than 4" off wall.

Finishes

- White
- All ends white powder coated

Diffuser

- Acrylic Durayl® LED Smooth White - standard
- Acrylic - Smooth White - optional

Optional Features

- Slide-on and mouse hole ends available.
- Baffles and dividers are available for up, down, and/or front light.
- Ends with tapped holes to accommodate tamper-proof or regular screws.
- LED board custom layout

Custom modifications in the physical specification and color are available for this fixture.

LAMPING OPTIONS

LED	T5
(1 or 2) 22" Boards (2 or 4) 22" Boards	(1, 2 or 3) 14W (1, 2 or 3) 21W* (1, 2 or 3) 28W

*Special order

PACKAGING

	24"	46"	14W	21W	28W
BODIES	12	12	12	12	12
DIFFUSERS	12	12	12	12	12

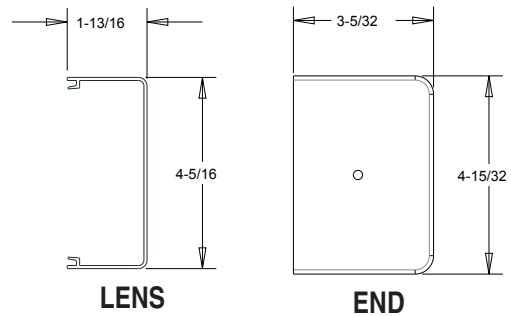
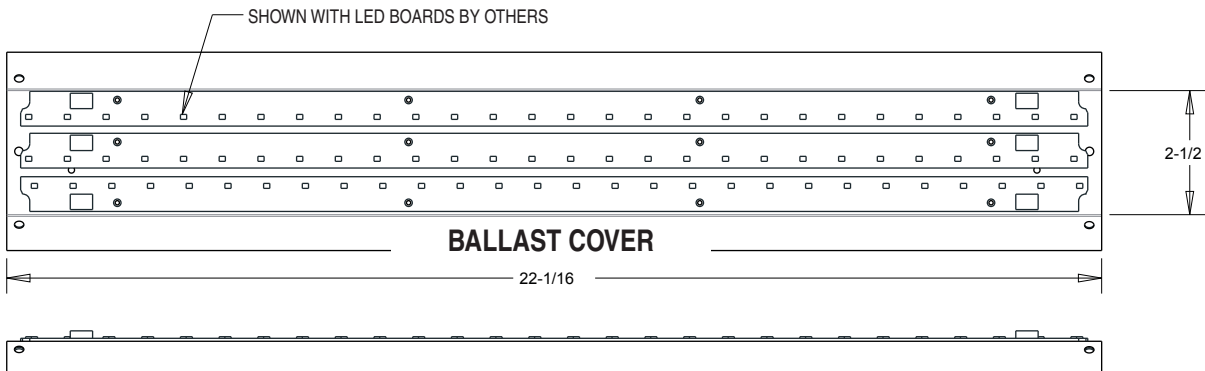
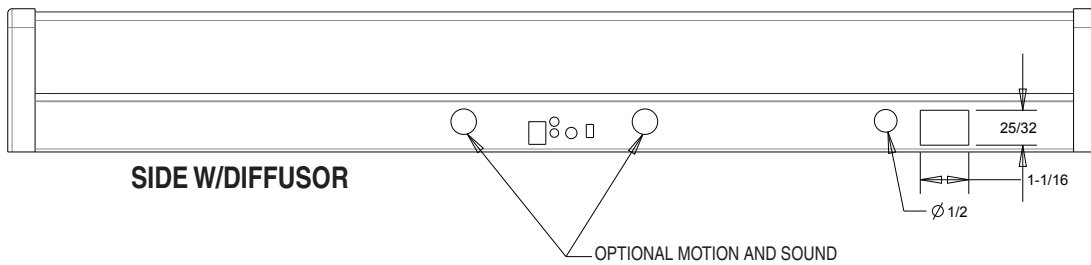
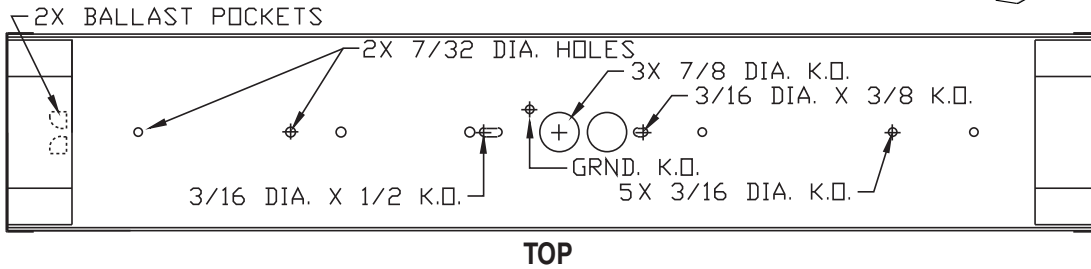
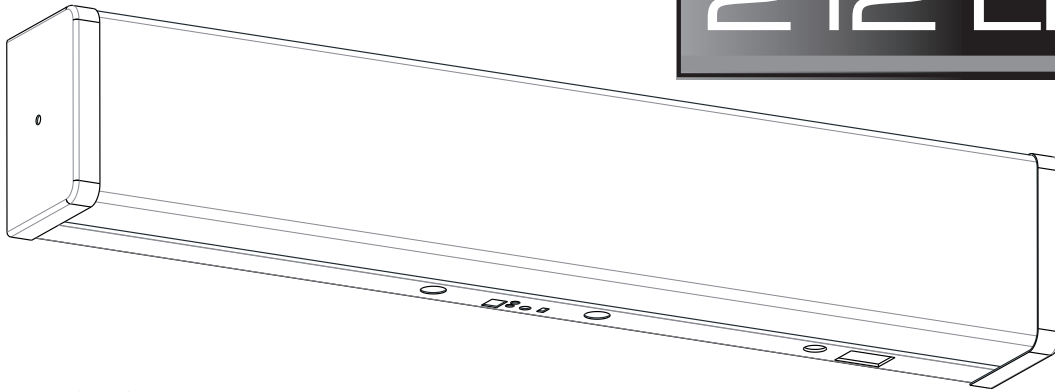
Specifications subject to change without notice.
Durayl® is a trademark of Pexco



Adam Metal Products Company • P.O. Box 450 • Ledgewood, NJ • 07852
Phone: 973.770-1100 • Fax 973.770-1105 • www.adammetal.com



SERIES 212 LED



T5	
SIZE	LENGTH
(1 or 2) 14W	22 5/8
(1 or 2) 21W*	34 7/16
(1 or 2) 28W	46 1/4

LED	
SIZE	LENGTH
(1 or 2) 22" Boards	24 1/4
(2 or 4) 22" Boards	46 1/4

* Special order

Specifications subject to change without notice. REV 5-18-2016

MADE IN THE
US

Adam Metal Products Company • P.O. Box 450 • Ledgewood, NJ • 07852
Phone: 973.770-1100 • Fax 973.770-1105 • www.adammetal.com

