

SERIES 213



Optional One-Piece End



Application

- Wall or ceiling in corridors, stairwells and bathrooms

Finishes Available

- White pre-painted steel
- White pre-painted aluminum (WPA)
- Bright anodized aluminum (BAA) *
- Brass
- Walnut

Diffuser Options

- Acrylic - Clear prismatic - standard
- Acrylic - Smooth white - optional

Optional Features

- 20 gauge body and one-piece end
- Baffles and dividers are available for up, down, and/or front light.
- Battery backup; with holes for test switch & indicator light
- Ends with tapped holes to accommodate tamper-proof or regular screws

Custom modifications in the physical specification and color are available for this fixture.

Lamping Options

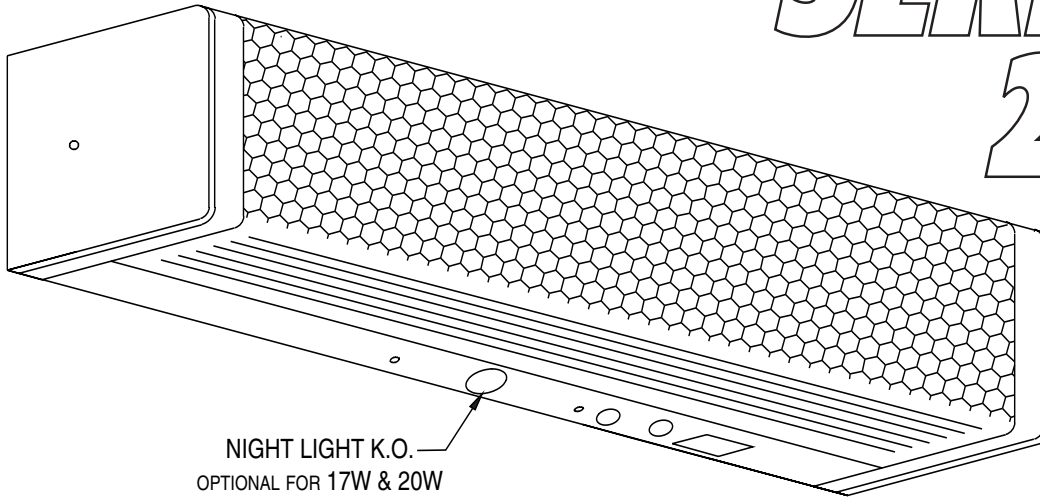
T12	T8	T5	CFL
(1 or 2) 15W	(1 or 2) 15W	(1 or 2) 6W *	(1) 13W (12") *
(1 or 2) 20W	(1 or 2) 17W	(1 or 2) 8W *	(1 or 2) 13W (18") *
(1 or 2) 30W	(1 or 2) 25W	(1, 2 or 3) 28W *	(2 or 3) 13W (24") *
(1 or 2) 40W	(1 or 2) 32W		(1) 36W (18") *
			(1) 40W (24") *

* Special order

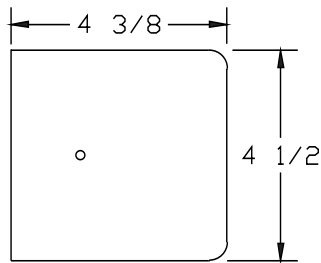
Packaging	6W	8W	15W	17W	20W	25W
Bodies	24	24	12	12	12	12
Diffusers	48	48	48	48	48	24
	30W	32W	40W			
Bodies	12	12	12			
Diffusers	24	24	24			



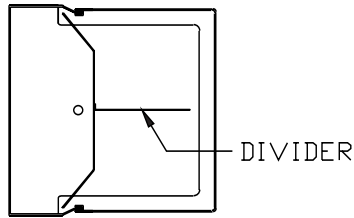
SERIES 213



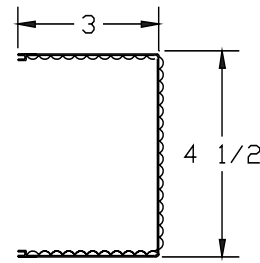
NIGHT LIGHT K.O. —
 OPTIONAL FOR 17W & 20W
 STANDARD FOR 25W, 30W, 32W & 40W



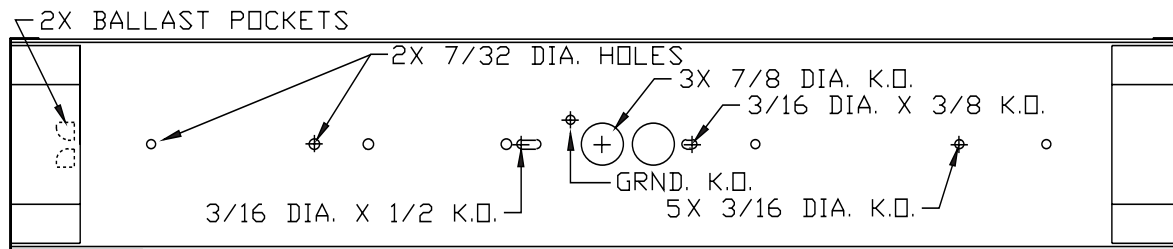
END



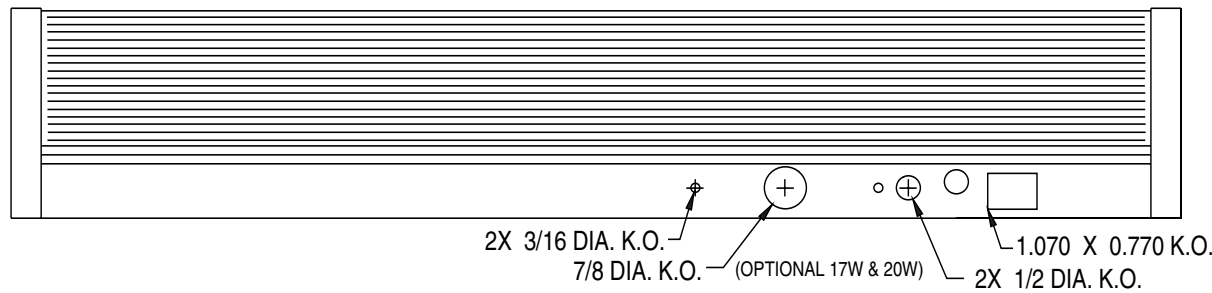
DIVIDER
 OPTIONAL



LENS



TOP



SIDE W/LENS

T5	
SIZE	LENGTH
(1, 2 OR 3) 6W	9-1/4
(1, 2 OR 3) 8W	12-1/4
(1, 2 OR 3) 28W	46-1/4

T8	
SIZE	LENGTH
(1 OR 2) 15W	18-1/4
(1 OR 2) 17W	24-1/4
(1 OR 2) 25W	36-1/4
(1 OR 2) 32W	48-1/4

T12	
SIZE	LENGTH
(1 OR 2) 14W	15-1/4
(1 OR 2) 15W	18-1/4
(1 OR 2) 20W	24-1/4
(1 OR 2) 30W	36-1/4
(1 OR 2) 40W	48-1/4

REV 7-29-09

