

SERIES 419

BATWING



TWO LAMP T5 OPTION



Application

- Office Task
- Undercabinet
- Display
- Companion to 421 Series

Finish

- White

Features

- Reduces indirect glare and veiling reflections.
- K.O. for miniature rocker switch

Lens

- Vertical prismatic "Lift & Shift" Batwing acrylic lens

Optional Features

Custom modifications in the physical specification and color are available for this fixture.

Lamping Options

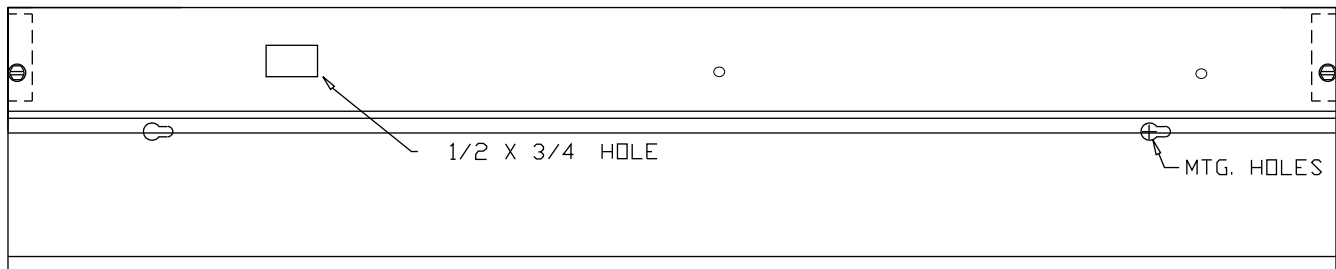
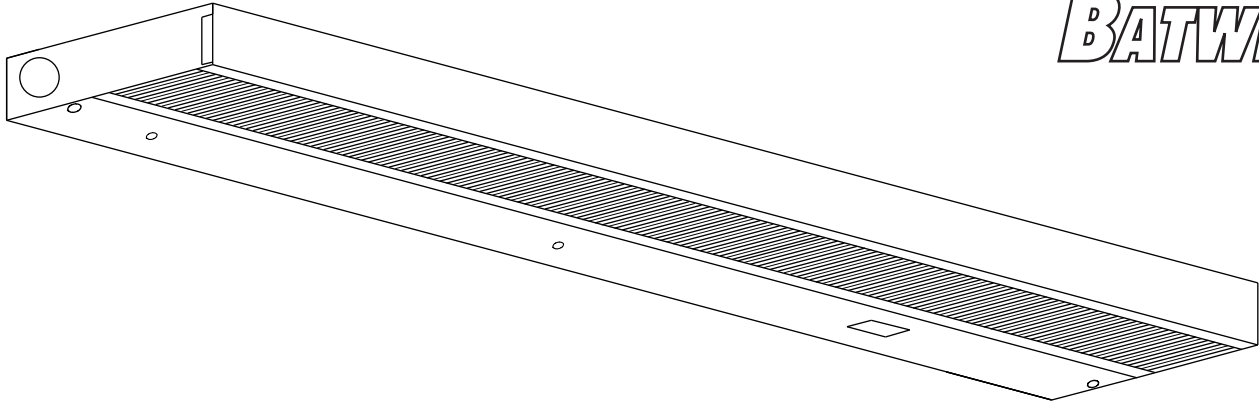
T12	T8	T5	CFL
-	(1) 15W	-	-
-	(1) 17W	-	-
-	(1) 25W	-	-
-	(1) 32W	-	-
-		-	-
-		-	-
-		-	-
-		-	-
-		-	-

Packaging	15W	17W	25W	32W
Bodies	36	36	16	16
Diffusers	72	72	72	72

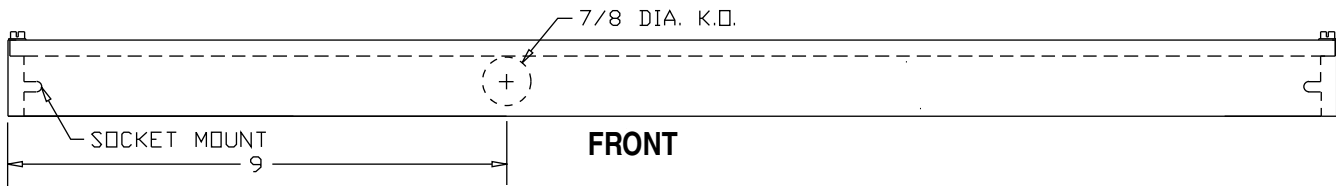


SERIES 419

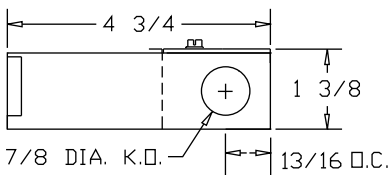
BATWING



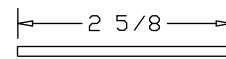
TOP - WITHOUT LENS



FRONT



**RIGHT AND LEFT ENDS
IDENTICAL**



**LENS
BATWING ACRYLIC**

T8	
SIZE	LENGTH
(1) 15W	18-1/16
(1) 17W	24-1/4
(1) 25W	36-1/4
(1) 32W	48-1/4

REV 9-24-09

