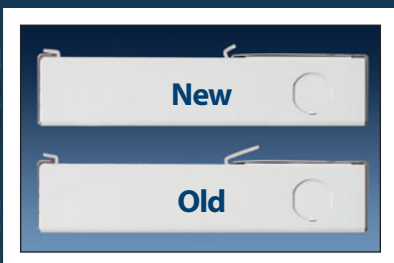


SERIES 420

SNAP-TOGETHER



LOW PROFILE LENS



Application

- Office Task
- Undercabinet
- Display
- Companion to Series 418 and 422

Finish

- White

Features

- Snap-Together body and ballast cover
- No fasteners
- Installed green ground stud
- UL flexible cable connector

Lens

- Snap-in linear prismatic acrylic lens

Optional Features

Custom modifications in the physical specification and color are available for this fixture.

Lamping Options

T12	T8	T5	CFL
-	-	(1) 8W	-
-	-	(1) 13W	-
-	-	(1) 14W	-
-	-	(2) 8W (T)	-
-	-	8W+13W (T)	-
-	-	(1) 21W	-
-	-	(2) 13W (T)	-
-	-	(1) 28W	-

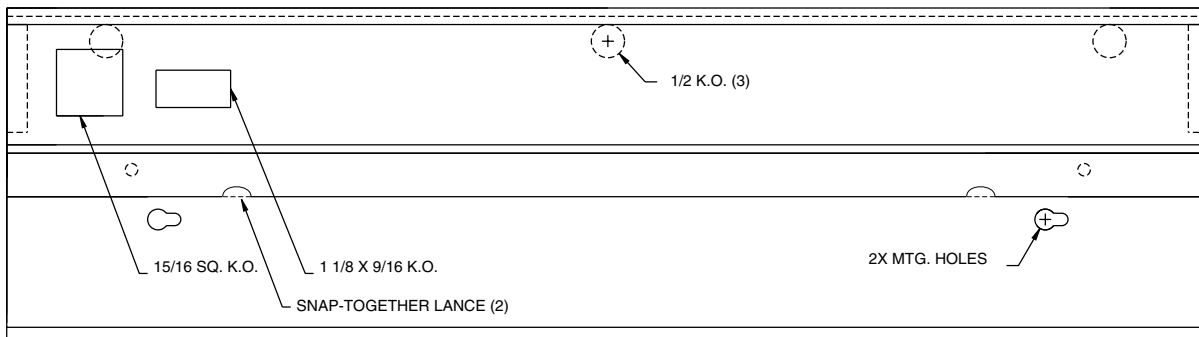
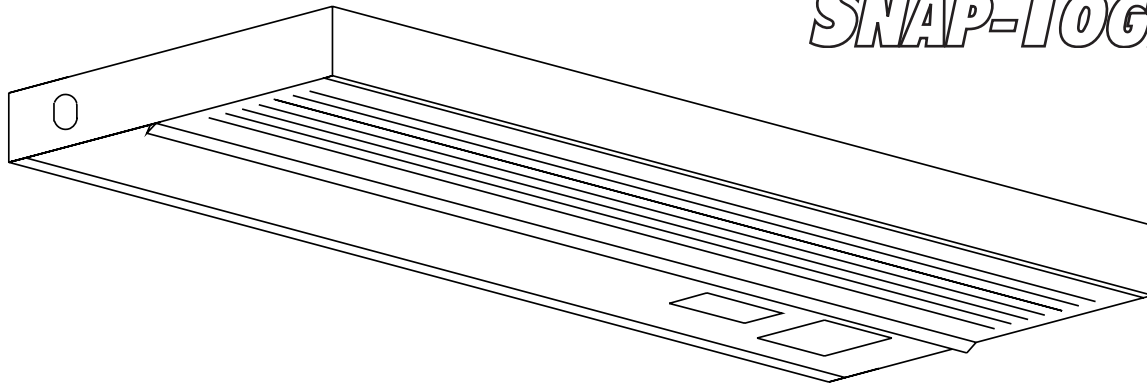
(T) Tandem

Packaging	8W	13W	14W	(2)8W	8+13W
Bodies	36	36	18	18	18
Diffusers	144	144	72	72	72
	21W (2)13W		28W		
Bodies	18	18	18		
Diffusers	72	72	72		

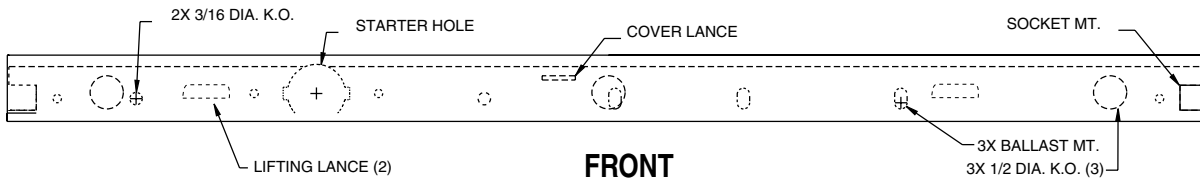


SERIES 420

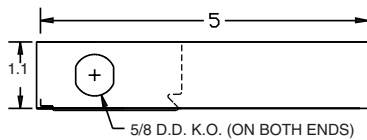
SNAP-TOGETHER



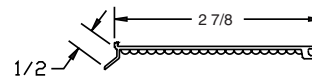
TOP
WITHOUT LENS



FRONT



END PROFILE
(WITHOUT LENS)



LENS
SNAP-IN LINEAR
PRISMATIC ACRYLIC

T-5	
SIZE	LENGTH
(1) 8W	12-1/4
(1) 13W	21-1/4
(1) 14W	22-19/32
(2) 8W(T)	24-1/2
8W+13W(T)	33-1/2
(1) 21W	34-7/16
(2) 13W(T)	42-1/2
(1) 28W	46-7/32

(T) TANDEM

REV 3-1-05

