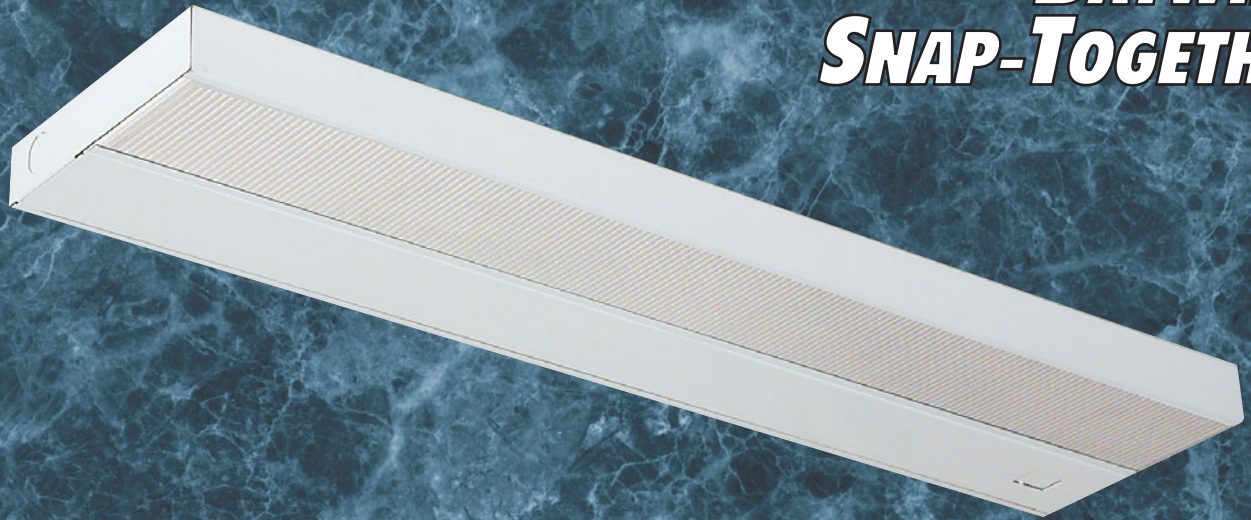


# SERIES 421

## BATWING

### SNAP-TOGETHER



#### Application

- Office Task
- Undercabinet
- Companion to Series 419

#### Finish

- White

#### Features

- Snap-Together body and ballast cover
- No fasteners
- Reduces indirect glare and veiling reflections
- K.O. for miniature rocker switch

#### Lens

- Vertical prismatic "Lift & Shift" Batwing acrylic lens

#### Optional Features

Custom modifications in the physical specification and color are available for this fixture.

#### Lamping Options

T12	T8	T5	CFL
-	-	(1) 8W	-
-	-	(1) 13W	-
-	-	(1) 14W	-
-	-	(2) 8W (T)	-
-	-	8W+13W (T)	-
-	-	(1) 21W	-
-	-	(2) 13W (T)	-
-	-	(1) 28W	-

(T) Tandem

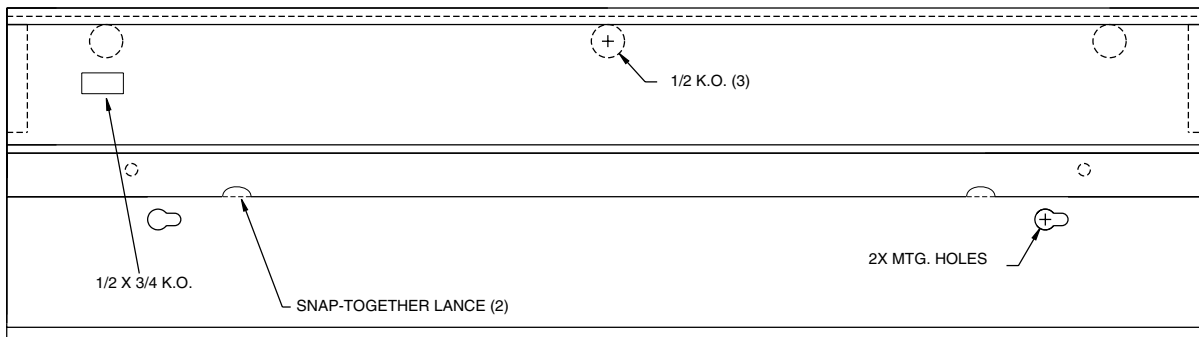
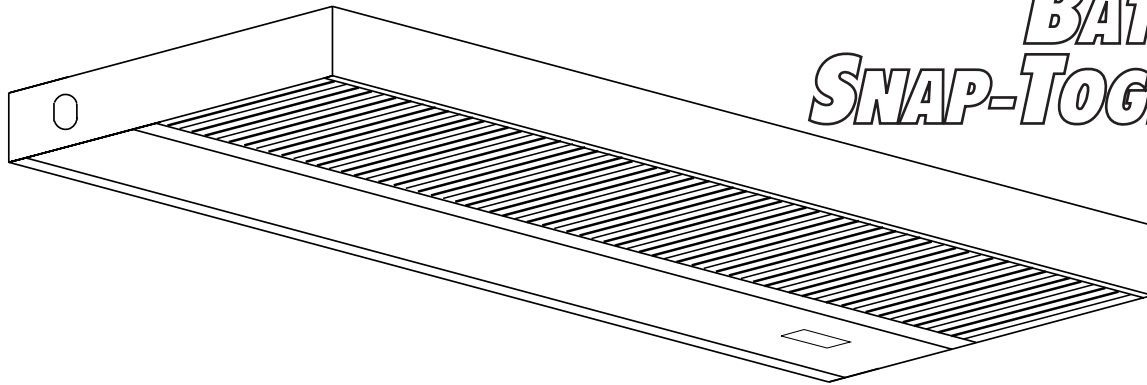
Packaging	8W	13W	14W	(2)8W	8+13W
<b>Bodies</b>	36	36	18	18	18
<b>Diffusers</b>	144	144	72	72	72
	21W	(2)13W	28W		
<b>Bodies</b>	18	18	18		
<b>Diffusers</b>	72	72	72		



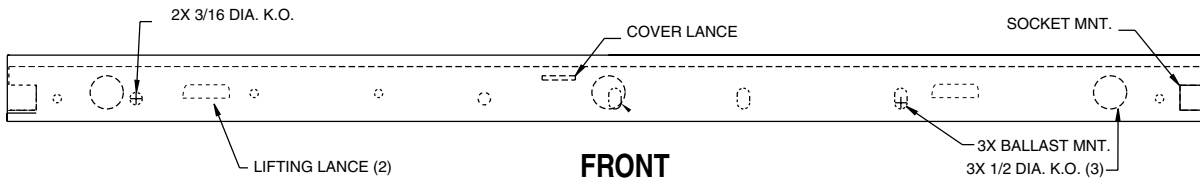
# SERIES 421

## BATWING

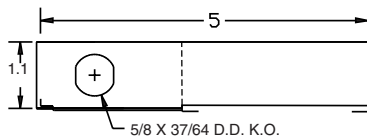
### SNAP-TOGETHER



**TOP**  
WITHOUT LENS



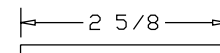
**FRONT**



IDENTICAL ON  
OPPOSITE END

T-5	
SIZE	LENGTH
(1) 8W	12-1/4
(1) 13W	21-1/4
(1) 14W	22-19/32
(2) 8W(T)	24-1/2
8W+13W(T)	33-1/2
(1) 21W	34-7/16
(2) 13W(T)	42-1/2
(1) 28W	46-7/32

(T) Tandem



**LENS**  
BATWING ACRYLIC

REV 3-1-05

