

SERIES 540

LENSLESS INDIRECT TROFFER

DESIGNED FOR
LED_s

Application

- 100% indirect recessed troffer without any lens or other media. Unit is designed to use LED, 22 inch boards, minimum of 2089 lumens/board. The LED boards require a 30 volt driver.
- This design allows the fixture to meet DesignLights Consortium® Product Qualification criteria, (final 9/27/13).
- The Series 540 is a 2X4 recessed unit that is designed to be installed in a grid T bar ceiling and accepts four 22 inch LED boards. It also has the capability to accept two fluorescent lamps, either F54T5/HO or F28T5.
- Unit is designed for low brightness illumination without any direct glare, discomfort glare or veiling reflections.

Finishes

- Reflector is constructed of high reflectance steel (98%) which provides very efficient photometrics with LED or fluorescent light sources.

Installation

- Designed for Nema Type G (grid) ceilings.

Optional Features

Custom modifications in the physical specification and color are available for this fixture. Our products can be made to accommodate a variety of motion and/or sound detectors, night lights and LED arrays. Contact us for further information.

LAMPING OPTIONS

LED	T5
(4) 22" Boards	(2) F54T5/HO or (2) F28T5

PACKAGING

**BODIES
PER CARTON**

1

** Shipping carton is reusable*

Specifications subject to change without notice.

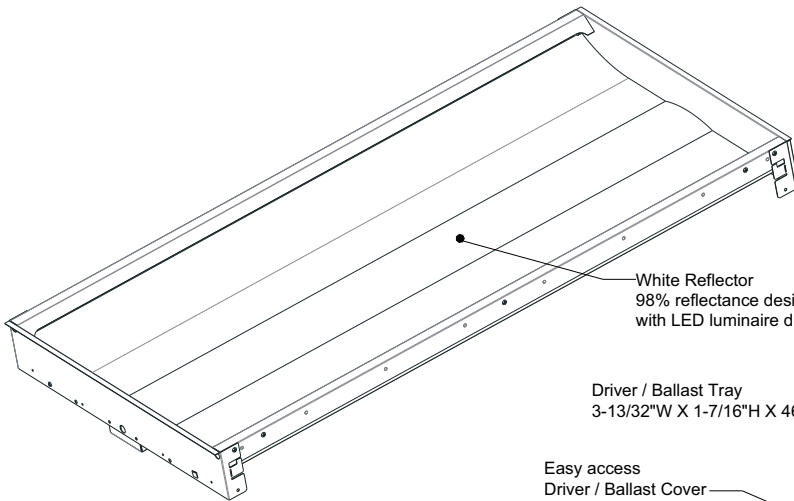


Adam Metal Products Company • P.O. Box 450 • Ledgewood, NJ • 07852
Phone: 973.770-1100 • Fax 973.770-1105 • www.adammetal.com



SERIES 540

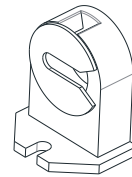
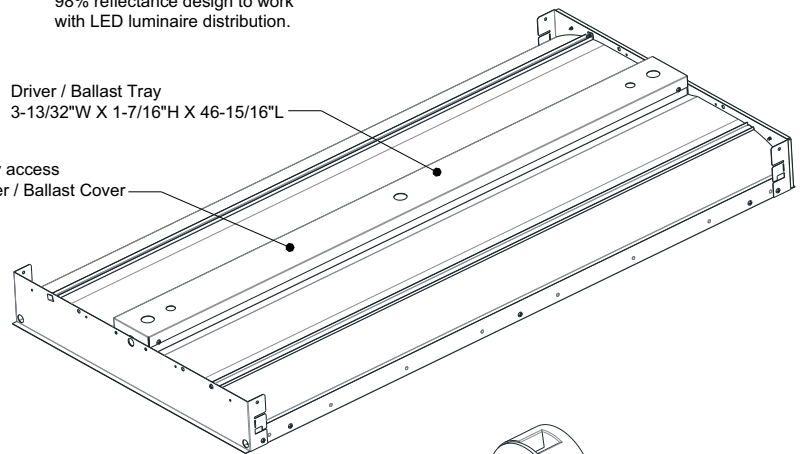
LENSSLESS INDIRECT TROFFER



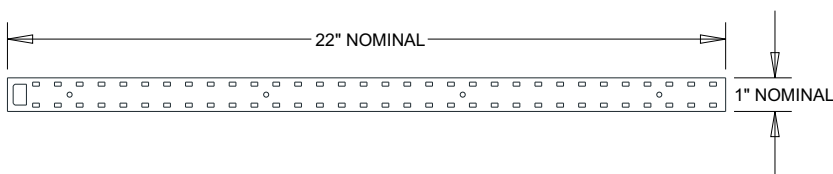
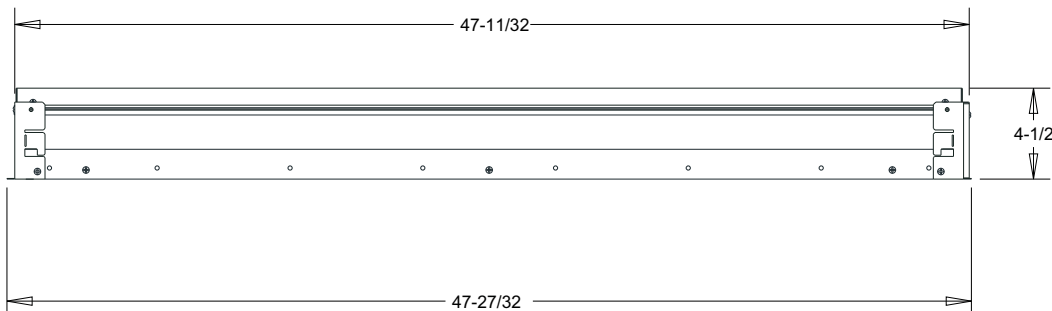
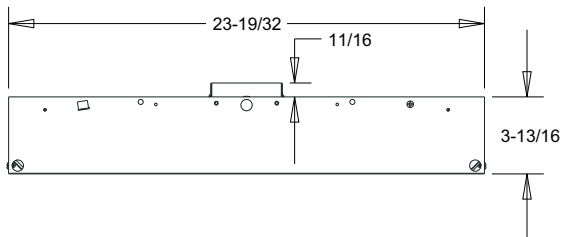
White Reflector
98% reflectance design to work with LED luminaire distribution.

Driver / Ballast Tray
3-13/32"W X 1-7/16"H X 46-15/16"L

Easy access
Driver / Ballast Cover



Standard T5 Push Through Socket
for optional T5 Lamps.
28W or 54W High Output (1 Lamp per side)
By others



22 inch LED boards (2 per side)
By others

LAMPING OPTIONS

LED	T5
(4) 22" Boards	(2) F54T5/HO or (2) F28T5

Specifications subject to change without notice. REV 5-23-2014



Adam Metal Products Company • P.O. Box 450 • Ledgewood, NJ • 07852
Phone: 973.770-1100 • Fax 973.770-1105 • www.adammetal.com

