

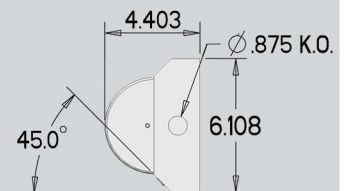
# SERIES 702

DESIGNED FOR  
**LED<sub>s</sub>**



## FLIGHT LIGHT

45° Mounted Motion & Sound Sensor



### Application

- Surface Mount
- Wall Mount

### Diffuser

- Durayl® LED Acrylic - Smooth White (Standard)
- Basic Acrylic - Smooth White (Optional)

### Finishes

- Pre-Paint White Housing
- All ends white powder coated

### Features

- 24" 46" 48" Standard Lengths (X)  
(or custom lengths available upon request)
- Can accommodate (1) or (2) row LED board
- Can accommodate (1) or (2) LED T-5 or T-8 lamps

### LED & Lamping

- LED Boards Standard (1 or 2 row per length)
- Optional T5 (1 or 2 lamp per length)
- Optional T8 (1 or 2 lamp per length)
- T8 is eligible for retro kit rebate programs

*Specifications subject to change without notice.*

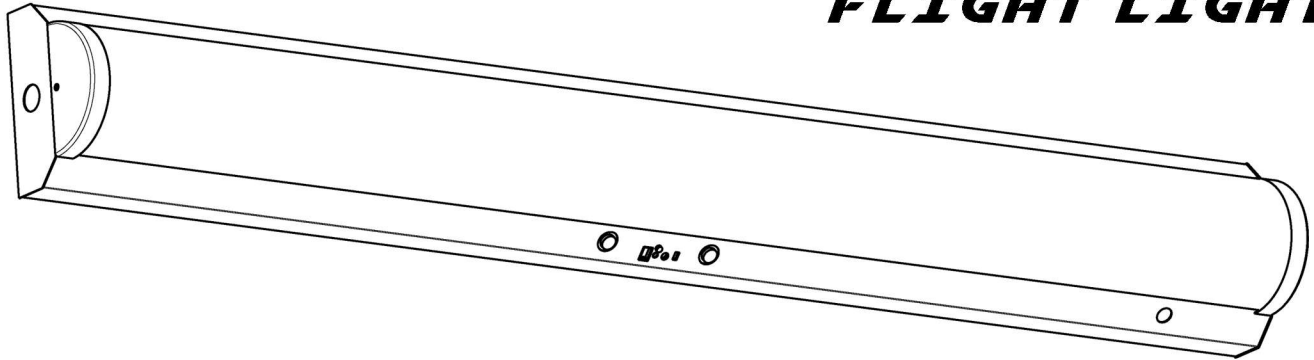


Adam Metal Products Company • P.O. Box 450 • Ledgewood, NJ • 07852  
Phone: 973.770-1100 • Fax 973.770-1105 • [www.adammetal.com](http://www.adammetal.com)

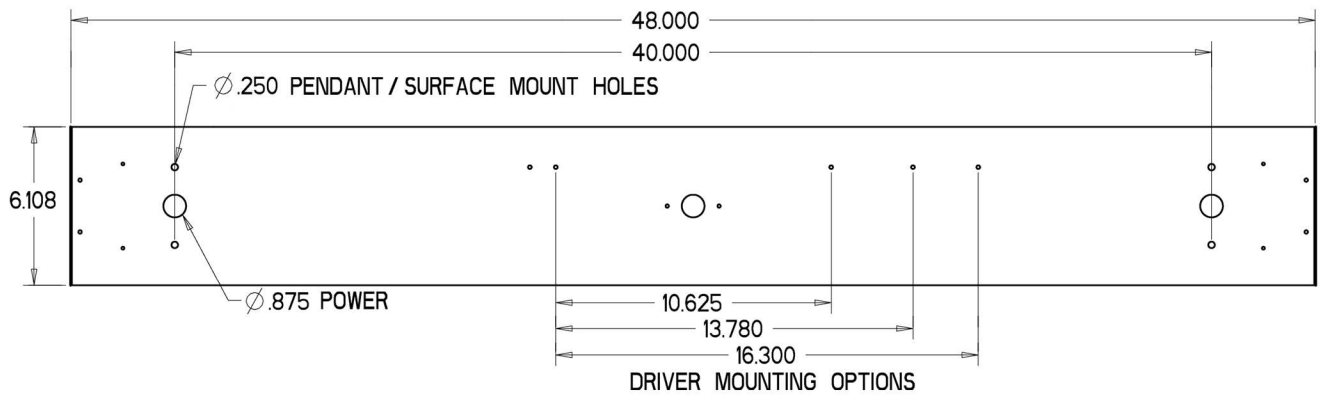


# SERIES 702

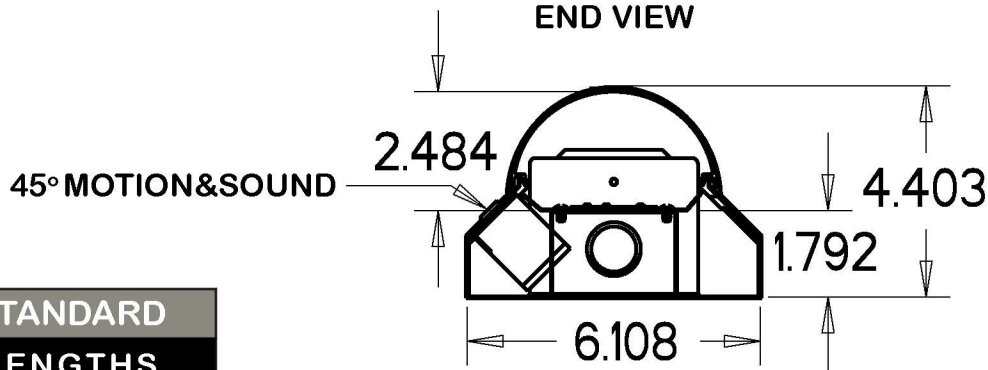
## FLIGHT LIGHT



### BOTTOM VIEW



### END VIEW



#### STANDARD LENGTHS

24.000"  
46.000"  
48.000"

Specifications subject to change without notice.  
Rev 1-29-2020



Adam Metal Products Company • P.O. Box 450 • Ledgewood, NJ • 07852  
Phone: 973.770-1100 • Fax 973.770-1105 • www.adammetal.com

