

SERIES 805

HIGH/LOW BAY

ENCLOSED AND GASKETED



Application

- Low bay/high bay warehouses/manufacturing facilities
- Food preparation areas
- Dusty environments

Finishes Available

- Frame:
- Standard in white CRS
- Reflector:
- Enhanced Aluminum

Features

- Door frame hinged and latched. Hinged with torsion springs from the ends. Gasketed to reduce dust invasion.
- Ceiling mounted or suspended with cables, stems or chains by others
- Reflectors available with 5% up-light or 100% down-light
- Individual computer designed reflectors install with quarter-turn fasteners (provided)
- Frame accommodates 4 or 6 T5HO lamps; 4 or 6 T8 lamps or a combination of T5HO and T8 lamps
- Available as 8 or 9 lamp, as special order
- Heat sink ballast mounting design for cool running ballast. Extends ballast life.
- Space available for 4 ballasts, motion sensors and remote control switching.
- Only 3 1/2"H X 22 1/2"W X 50 5/32"L
- Latched and gasketed frame with clear or prismatic lens (lens by others).

Optional Features

- Luminaire can be differentiated to accommodate your design objectives.
- Up-light available with slotted reflectors and clear up-light acrylic (by others).

Custom modifications in the physical specification and color are available for this fixture.

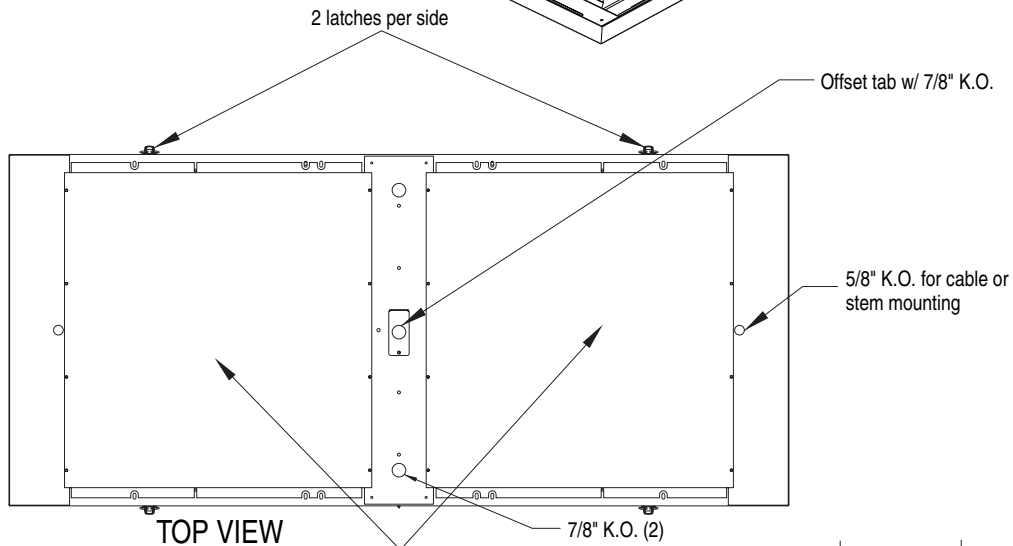
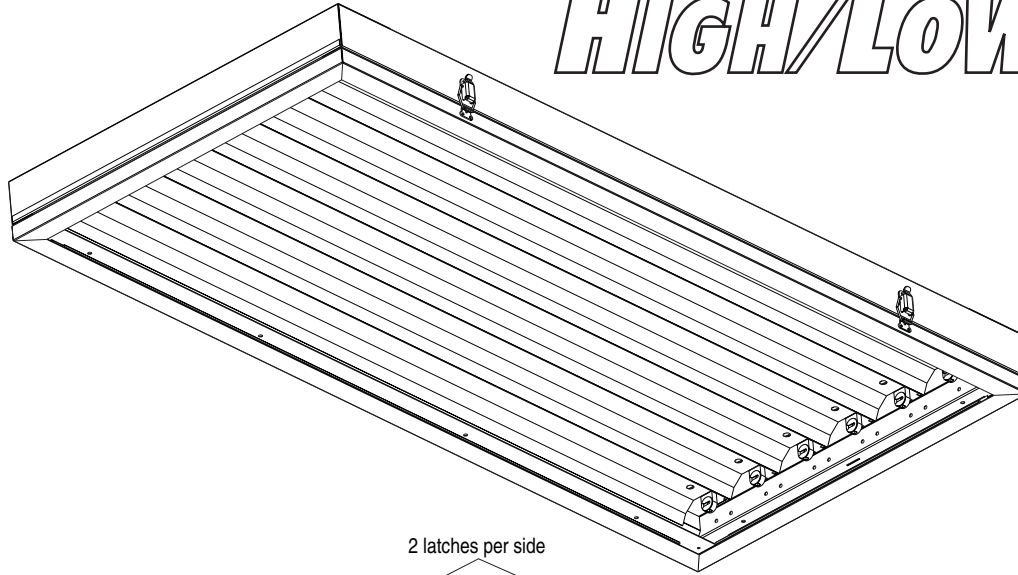
Lamping Options	
T5HO	T8
(4) 54W	(4) 32W
(6) 54W	(6) 32W

Packaging	
Bodies	2
Reflectors	12

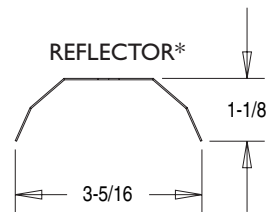
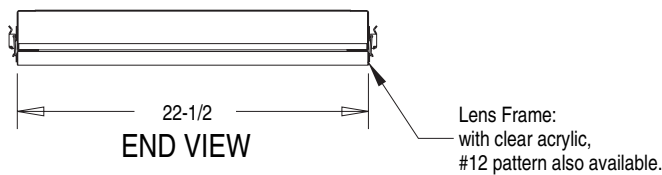
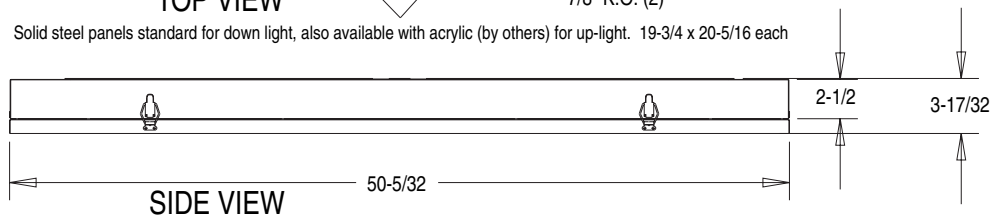
PATENT APPLIED FOR



SERIES 805 HIGH/LOW BAY



Solid steel panels standard for down light, also available with acrylic (by others) for up-light. 19-3/4 x 20-5/16 each



Bottom lens clear acrylic (by others):
21-1/4 x 48-3/4

* Reflector with or without 5% up light

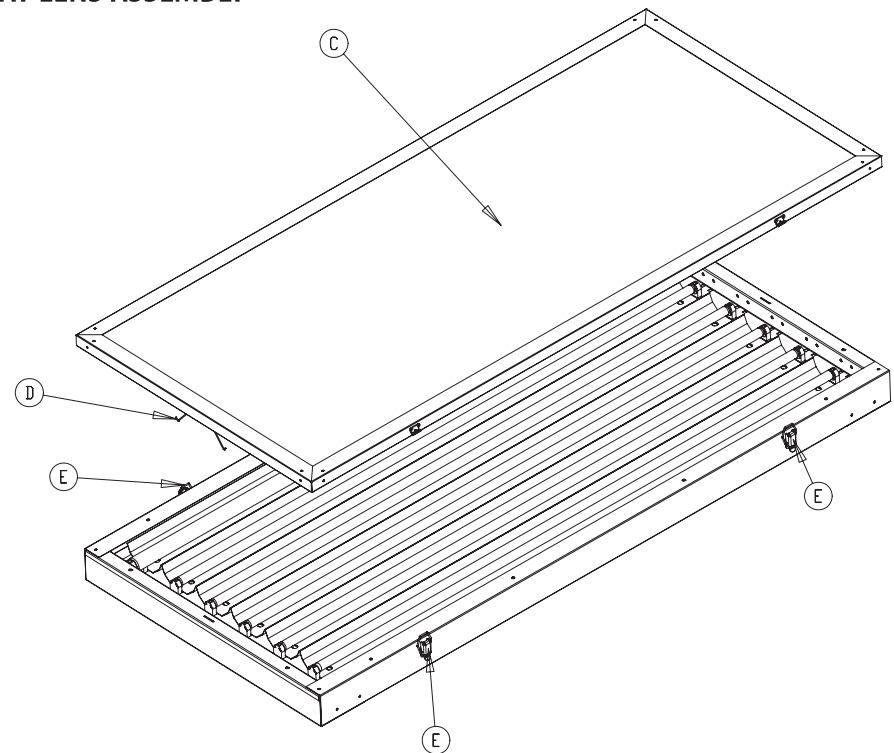
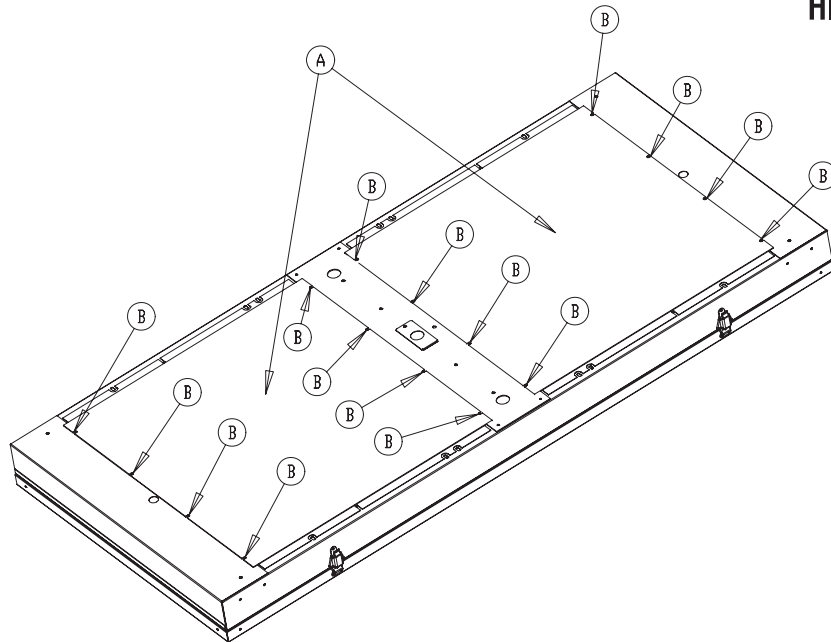
Lamping Options	
T5HO	T8
(4) 54W	(4) 32W
(6) 54W	(6) 32W

REV 1-22-08





HIGH BAY LENS ASSEMBLY



PARTS LIST

- (A) Top Cover (2 pcs)
- (B) #8 x 3/16 Sheetmetal screws (16 pcs) - *not supplied by Adam Metal Products*
- (C) Lens Frame Assembly (1 pc)
- (D) Torsion Spring (2 pcs)
- (E) Latch (4 pcs)

ASSEMBLY INSTRUCTIONS

1. Place (A) top covers on fixture and attach with (B) sheetmetal screws (both sides).
2. Flip fixture around. Pinch (D) torsion spring, place (C) lens frame assembly and latch down with (E) latch.

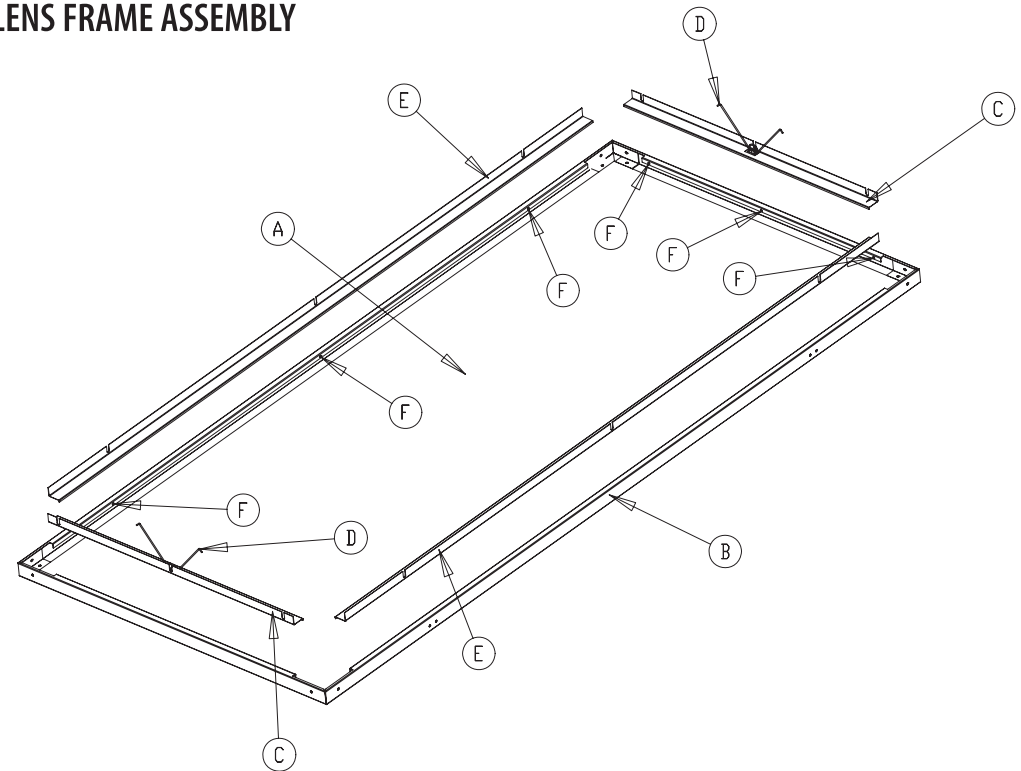




LENS FRAME ASSEMBLY

PARTS LIST

- (A) Lens 48-3/4 x 21-1/4 x 3/32 (1 pc) - *supplied by other*
- (B) Frame (1 pc)
- (C) End Retainer (2 pcs)
- (D) Torsion Spring (2 pcs)
- (E) Side Retainer (2 pcs)
- (F) #8 x 3/16 Sheetmetal screws (12 pcs) - *not supplied by Adam Metal*



ASSEMBLY INSTRUCTIONS

1. Place (A) Lens into (B) Frame.
2. Insert (D) Torsion Spring into (C) End Retainer.
3. Take (C) End Retainer and place it onto (B) Frame trapping the (A) Lens and secure with (F) sheetmetal screws (both sides).
4. Place (E) Side Retainer onto (B) Frame trapping the (A) Lens and secure with (F) sheetmetal screws (both sides).

