

# SERIES 820

## ULTRA HIGH BAY



OPTIONS



OPTIONS

### Application

- High bay warehouses/manufacturing facilities
- Sport facilities and multifunction rooms
- Big box stores and retail facilities

### Finishes Available

Frame:

- Standard in white CRS

Reflectors:

- Enhanced Aluminum
- White steel 86% reflectance

### Features

- Ceiling mounted or suspended with cables, stems or chains by others
- Reflectors available with 5% up-light or 100% down-light
- Three computer designed individual reflectors install with quarter-turn fasteners (provided)
- Frame accommodates 8 or 9 T5HO lamps; 8 or 9 T8 lamps or a combination of T5HO and T8 lamps
- Space available for 4 ballasts, motion sensors and remote control switching.
- Only 2 1/2"H X 22 1/2"W X 50 5/32"L and weighs 18 pounds without ballasts.

### Optional Features

- Optional stylized frame available that will accommodate louvers and lenses (by others) for low bay application. Hinged torsion springs for re-lamping. Contact factory for availability.
- Optional 11-gauge wire guard with clips for hanging. Can be used with the stylized frame.
- Luminaire can be differentiated to accommodate your design objectives

Custom modifications in the physical specification and color are available for this fixture.

### Lamping Options

T5HO	T8
(8) 54W	(8) 32W
(9) 54W	(9) 32W

### Packaging

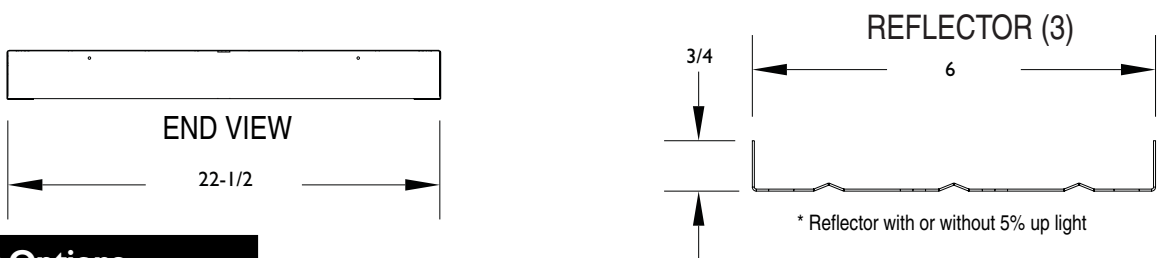
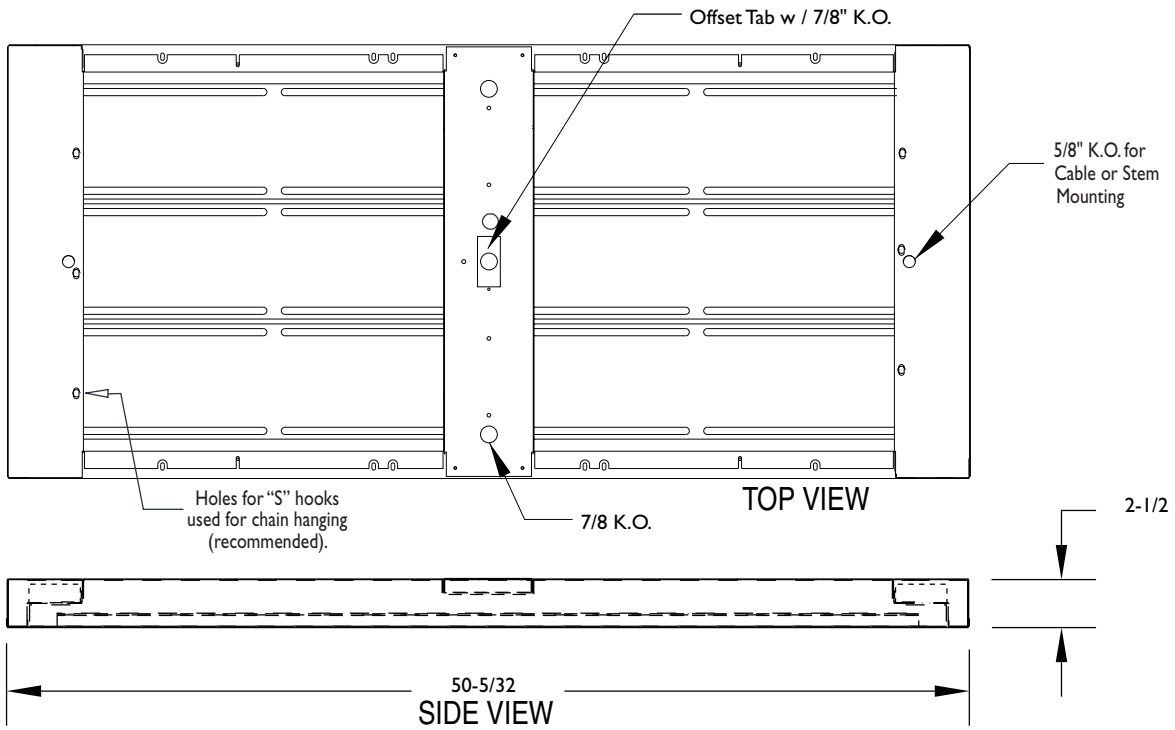
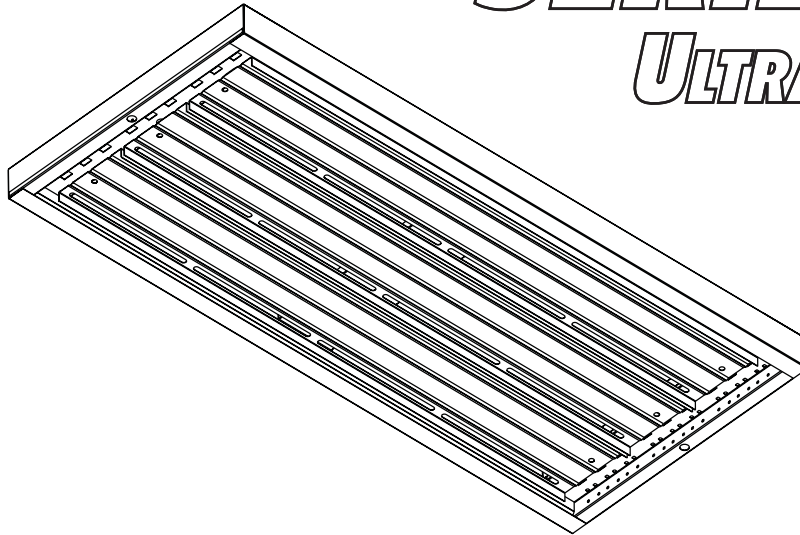
<b>Bodies</b>	2
<b>Reflectors</b>	36

PATENT APPLIED FOR



# SERIES 820

## ULTRA HIGH BAY



### Lamping Options

T5HO	T8
(8) 54W	(8) 32W
(9) 54W	(9) 32W

REV 1-22-08

